

RS-485 Repeater

(EXPERT-Modul EX9510)



EX9520/A/R/AR & EX9510/A

Quick manual

Features

Input: RS-232 protocol / RS-485 (For EX9510/A only)

Output: RS-485 protocol (two wire, D+, D-)

Speed : " AutoPro® " designed auto switching baud rate, 300~115200 BPS

256 modules max. in one RS-485 network without repeater

3000 V isolation

Multiple Baud Rate; Multiple Data Format

Communication distance:

2.1 Km/ 9600 Bps

2.7 Km/ 4800 Bps

3.6 Km/ 2400 Bps

JPI: PIN 2,3 for RS485

PIN 1,2 for RS422

Power requirements : +10V ~ 30VDC

Power consumption 2.2W(max)

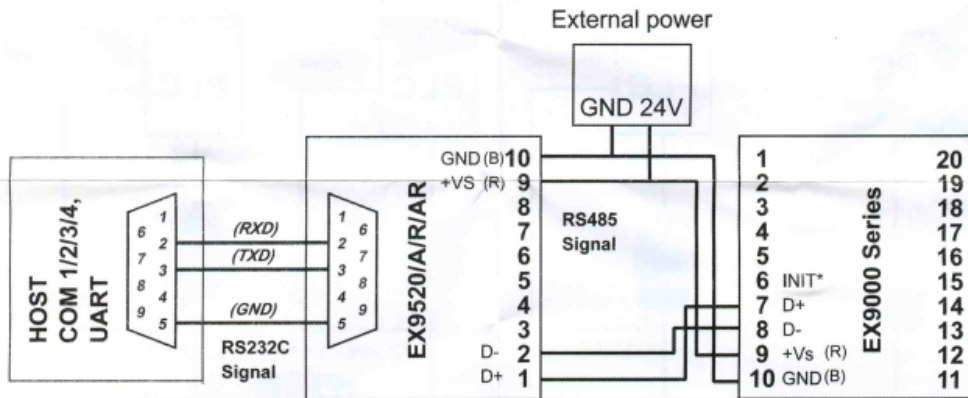
Dimension: 7cm x 10cm x 2cm

Serial products:

	422	485	Isolate (PLC)	Repeater
EX9520		✓		
EX9520 R		✓	✓	
EX9520 A	✓	✓		
EX9520 AR	✓	✓	✓	
EX9510		✓		✓
EX9510 A	✓	✓		✓
EX9520(ISA/PCI)		✓		
EX9510(ISA/PCI)	✓	✓		

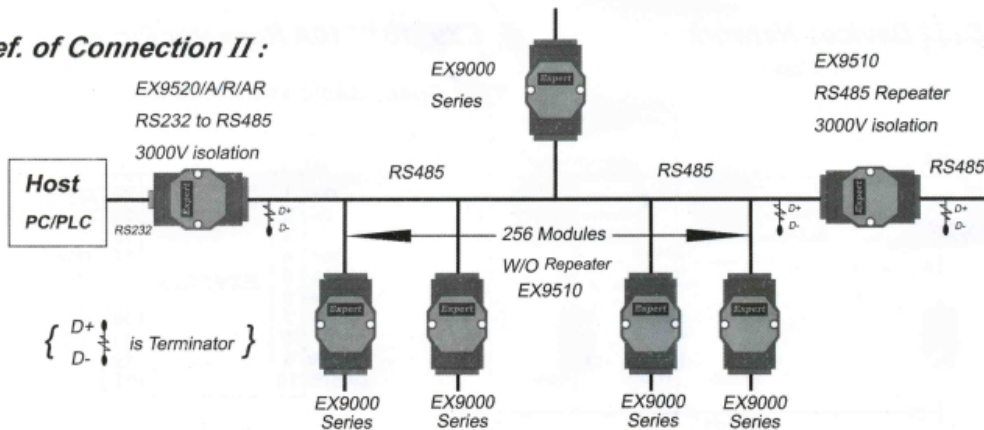
(A)

Ref. of Connection I :



(B)

Ref. of Connection II :



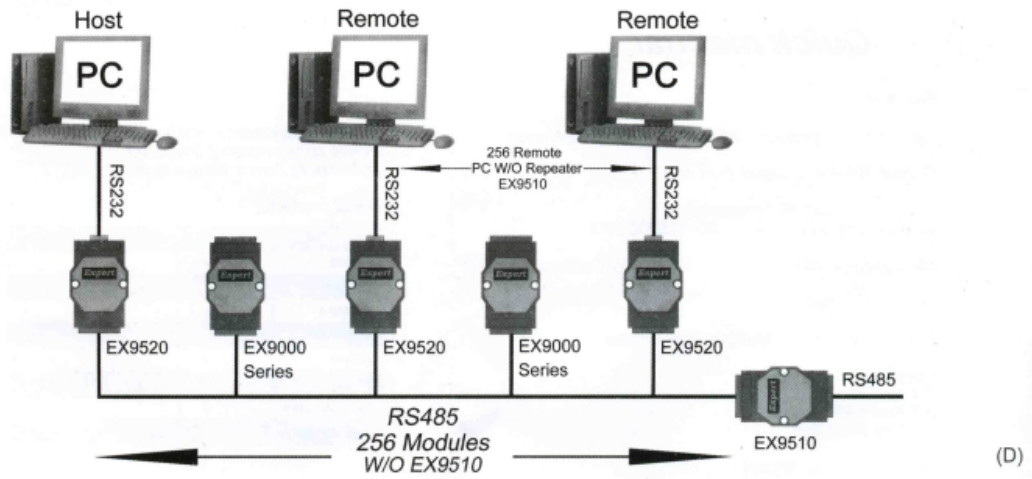
Note: If the length of RS485 Network is about 1.2Km, try 110Ω first.

If the length of RS485 Network is about 600m, try 220Ω first.

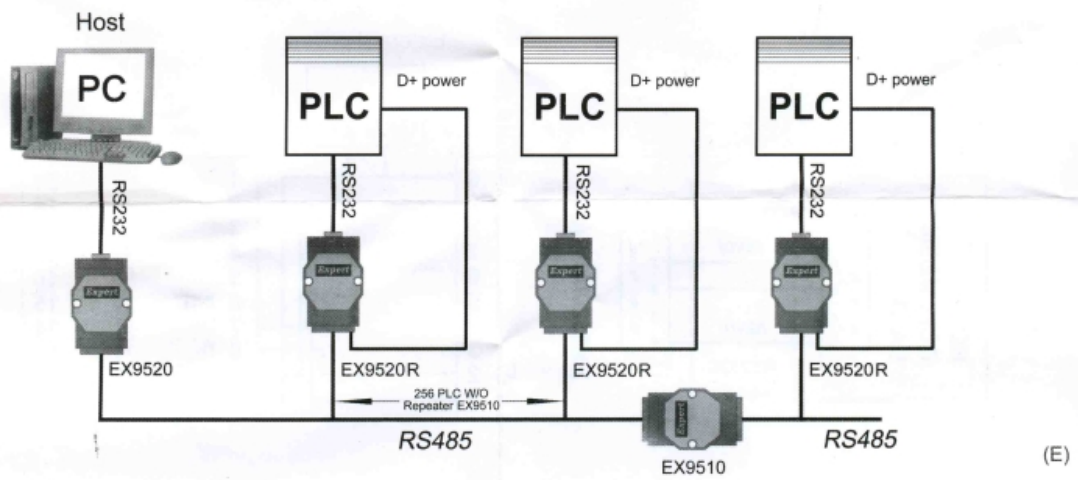
If the length of RS485 Network is about 300m, try 330Ω first.

(C)

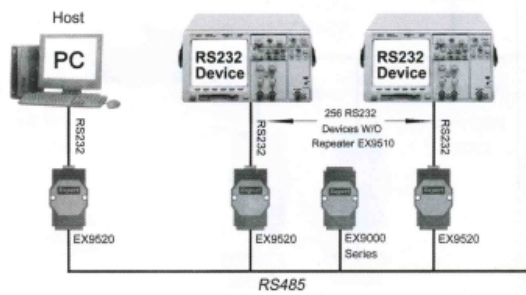
PC Network



PLC Network



RS232 Devices Network



EX9510/9510A Repeater Pin Assignment

Spec. same as EX9520 Series

D _o +	1	20	D _i +
D _o -	2	19	D _i -
	3	18	
RX _o +	4	17	TX _i +
RX _o -	5	16	TX _i -
TX _o +	6	15	RX _i +
TX _o -	7	14	RX _i -
	8	13	
+VS (R)	9	12	
GND (B)	10	11	

EX9510/A

(F)