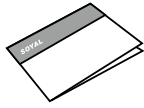


## Contents

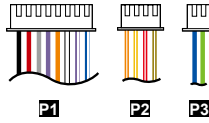
1 Products



2 User Guide



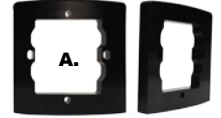
3 Terminal Cables



4 Allen Key and Screws

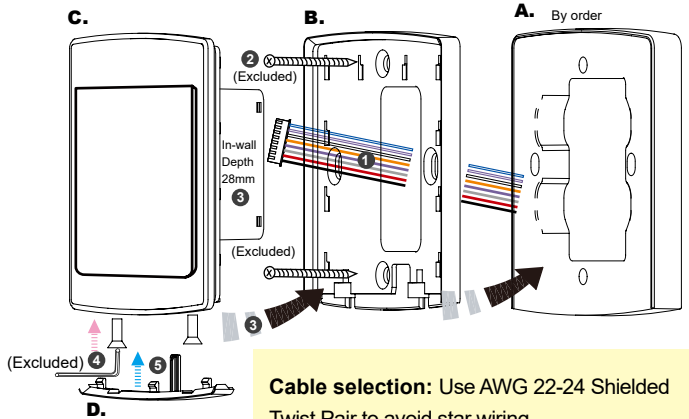


5 Easy Install Kit (By Order)

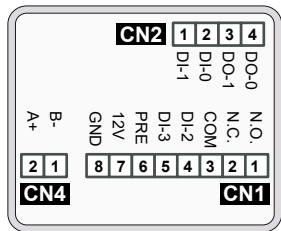


## Installation

- Pull the cables from the square holes of the eva foam gasket and mounting plate.
- Use a screwdriver to screw the mounting plate **B** onto the wall with Flat Head Cap Philips Tapping Screws (Excluded, the Installer should prepare before installation).
- Connect the cables to the backside of body **C** and attach **C** to **B** at lower position of **B**. Push **C** up to make the cogging hooked completely.
- Use the Allen key and screws to assemble the body **C** onto the mounting plate **B**. Attach the Back Cover **D** to **C**.
- Turn on the power and LED will light-up and beep will sound.



## Connector Table



### Cable: P1

Wire Application	Pin	Color	Description
Relay Output	1	Blue White	(N.O.)DC24V1Amp
	2	Purple White	(N.C.)DC24V1Amp
	3	White	(COM)DC24V1Amp
DI-2	4	Orange	Negative Trigger Input
DI-3	5	Purple	Negative Trigger Input
Card Present	6	Gray	Transistor OutputDC
Power	7	Thick Red	12V
	8	Thick Black	DC 0V

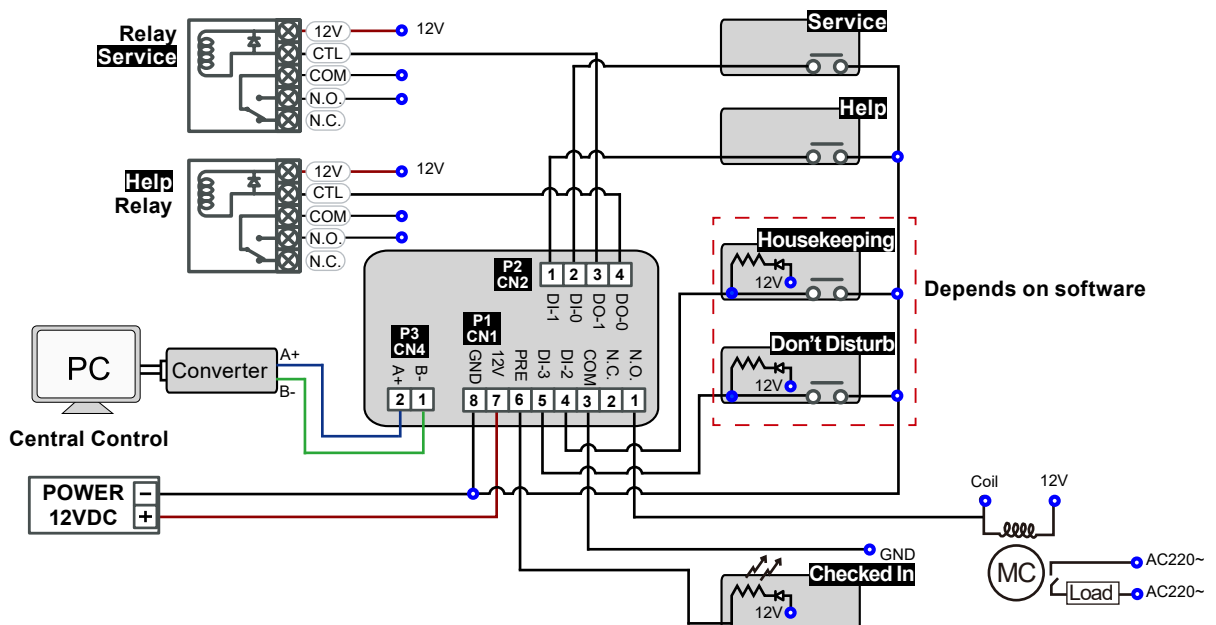
### Cable: P2

Wire Application	Pin	Color	Description
DI-1	1	Brown White	Negative Trigger Input
DI-0	2	Red White	Negative Trigger Input
DO-1	3	Black White	Transistor Output
DO-0	4	Orange White	Transistor Output

### Cable: P3

Wire Application	Pin	Color	Description
Networking	1	Thick Green	RS-485 (B-)
	2	Thick Blue	RS-485 (A+)

## Wiring Diagram





**1141 Budapest, Fogarasi út 77.**

Tel.: \*220-7940, 220-7814, 220-7959,  
220-8881, 364-3428 Fax: 220-7940

Mobil: 30 531-5454, 30 959-0930

**1095 Budapest, Mester utca 34.**

Tel.: \*218-5542, 215-9771, 215-7550,  
216-7017, 216-7018 Fax: 218-5542

Mobil: 30 940-1970, 30 959-0930

**[www.soyal.hu](http://www.soyal.hu)**

**E-mail: [info@delton.hu](mailto:info@delton.hu) Web: [www.delton.hu](http://www.delton.hu)**